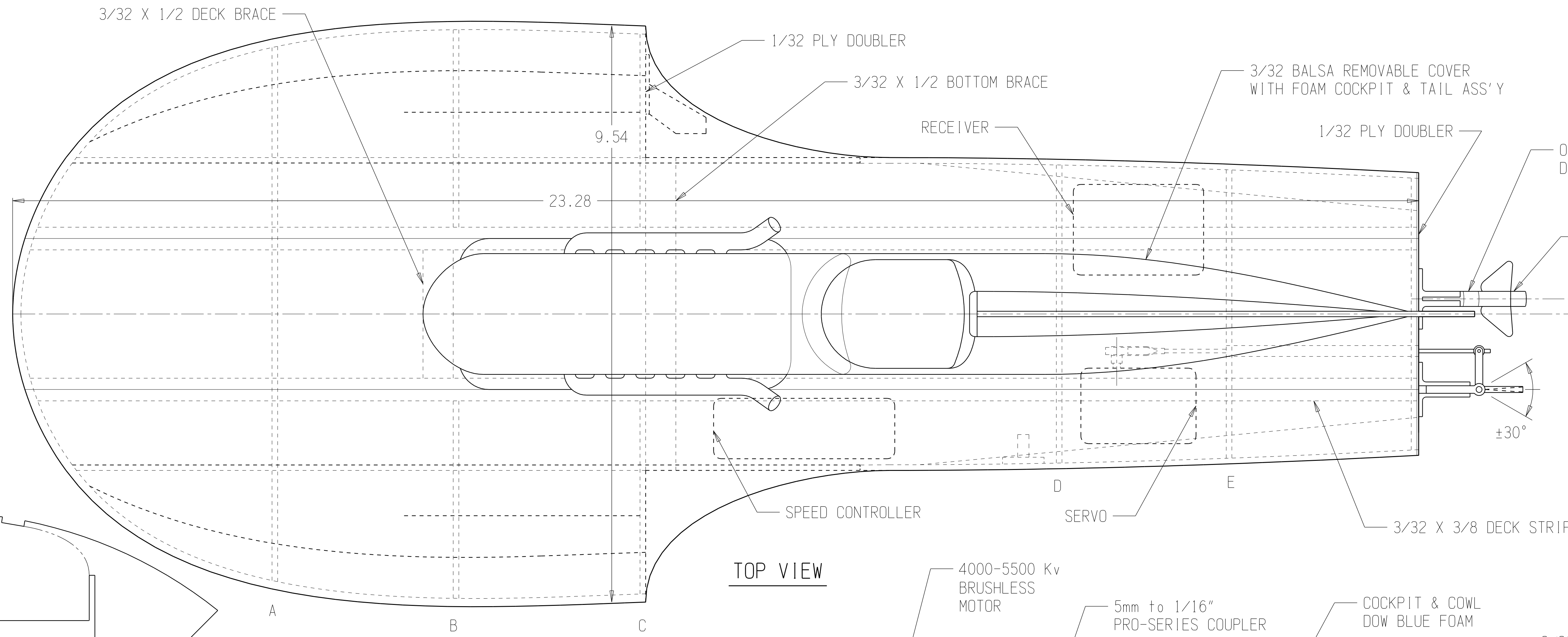
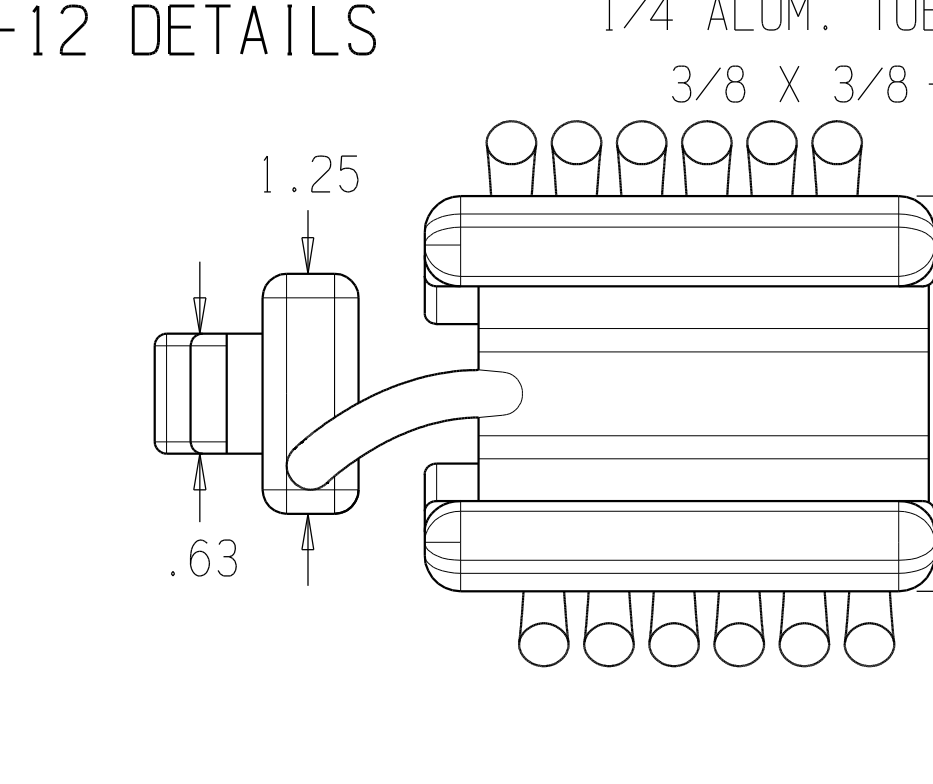
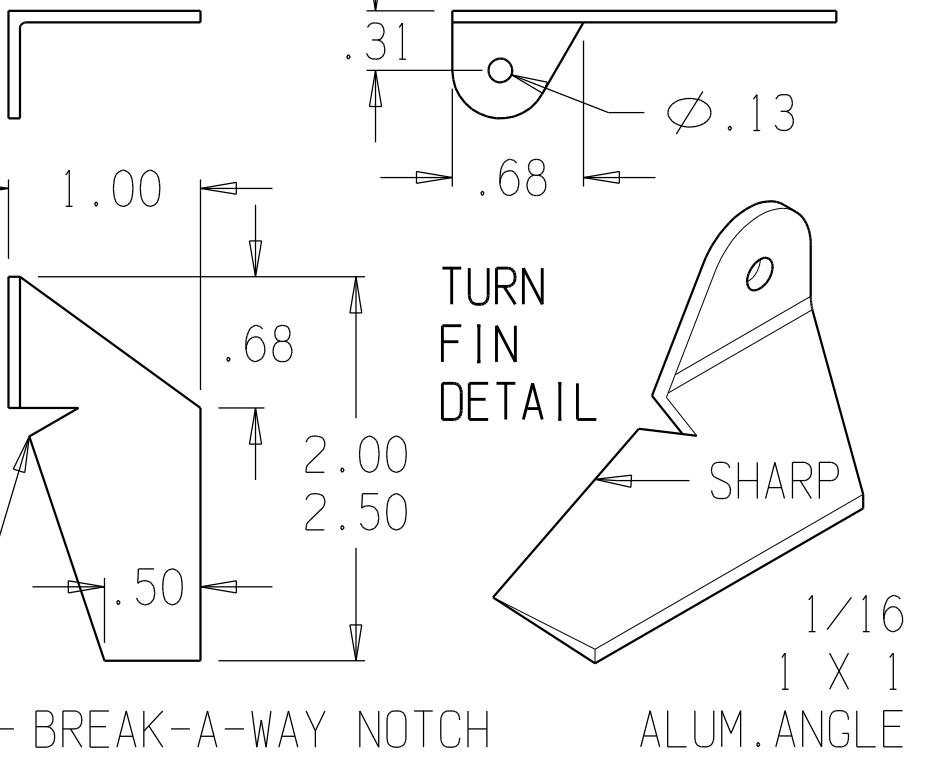
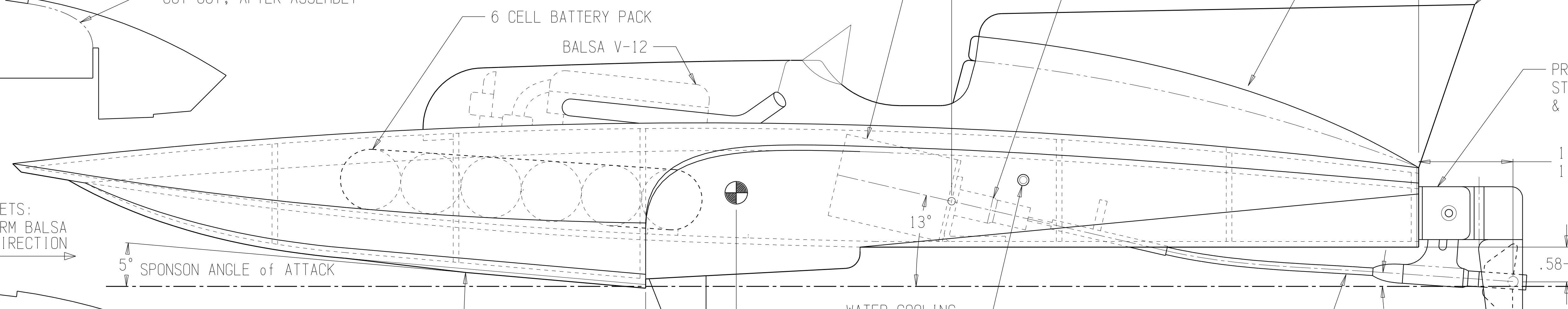


UNLESS OTHERWISE NOTED:  
ALL DRAWINGS FULL SCALE  
DIMENSIONS ARE IN INCHES

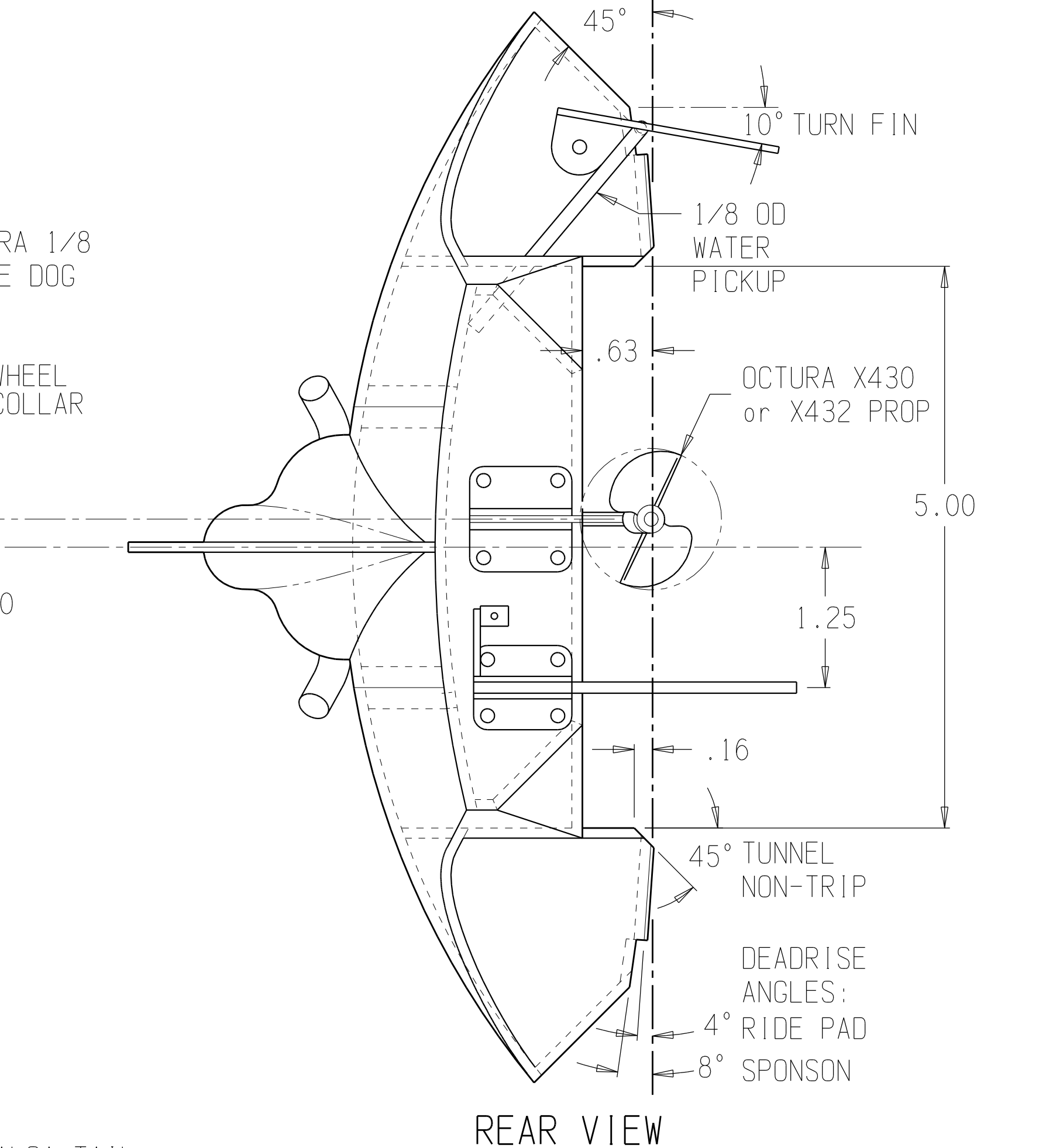
ALL SHEETS:  
3/32 FIRM Balsa  
GRAIN DIRECTION



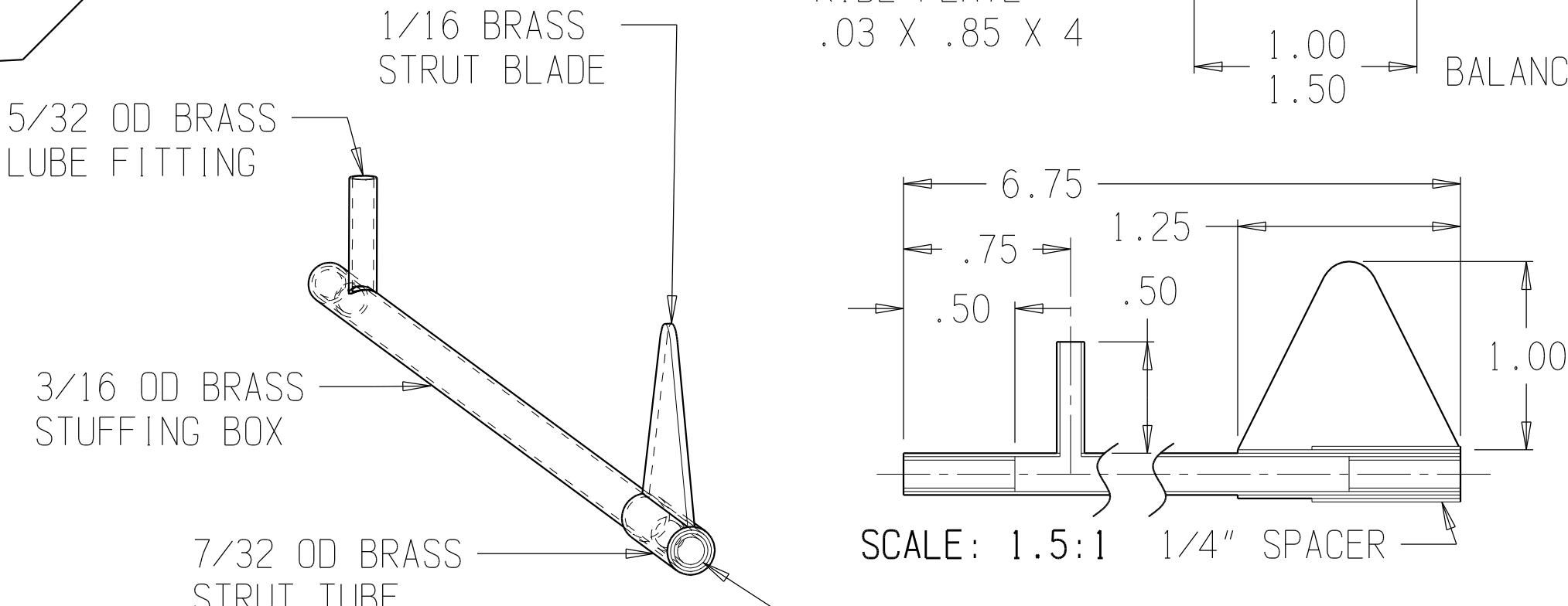
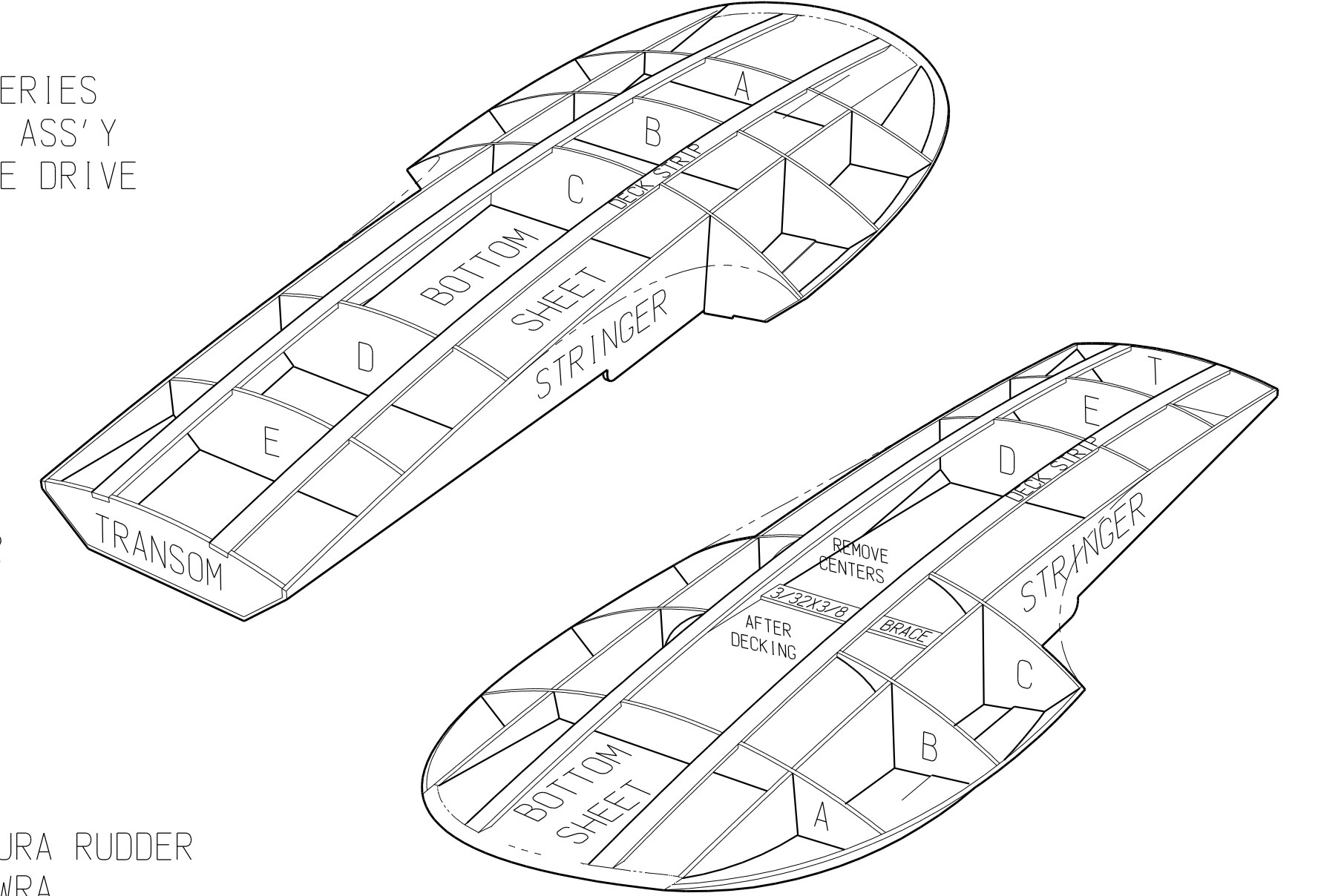
TOP VIEW



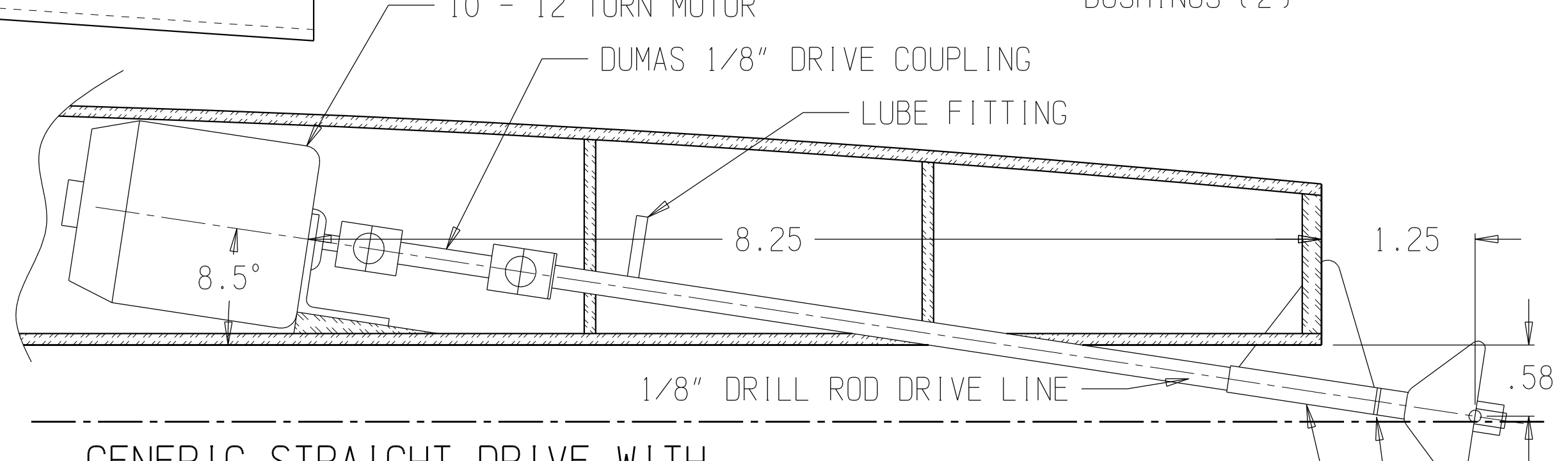
SIDE VIEW



REAR VIEW

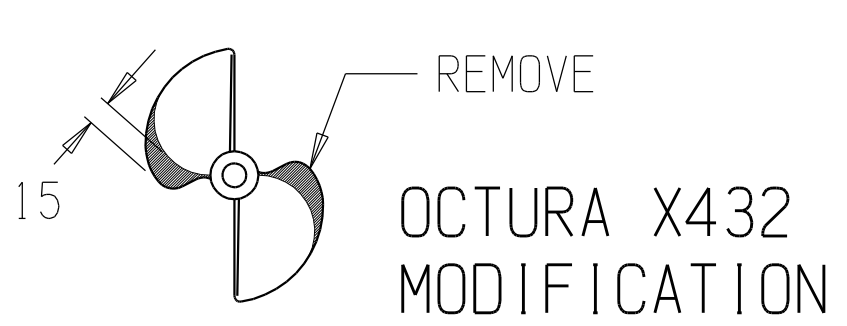


SCALE: 1.5:1 1/4\"/>

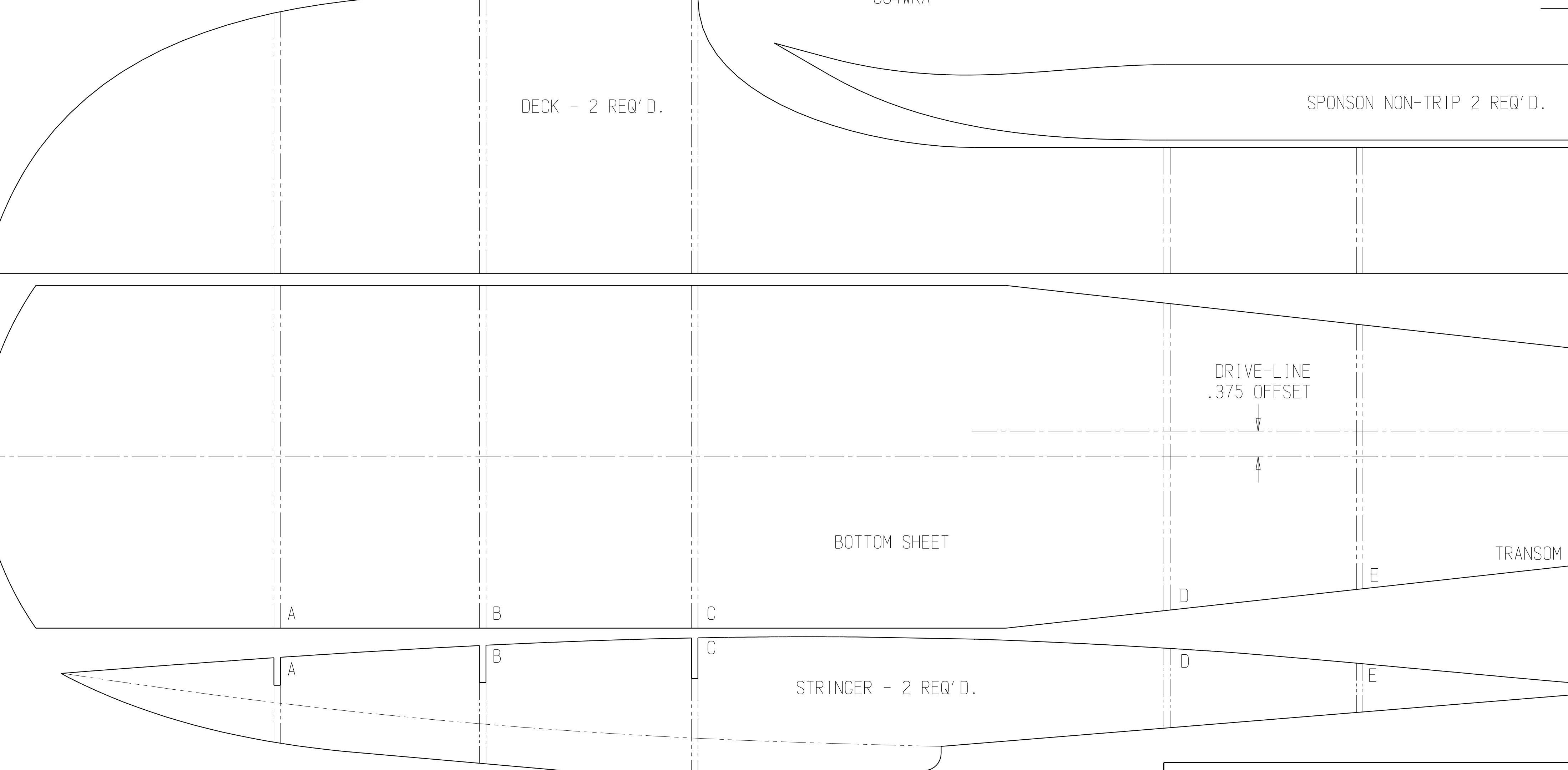


GENERIC STRAIGHT DRIVE WITH K&S BRASS TUBE & DRILL ROD

7/32\"/>



Copyright 2006 Garry Finlay and Rum Runner Racing. All rights reserved, worldwide.



1/16th SCALE (23.25\"/>

SPONSON BOTTOM - 2 REQ'D.