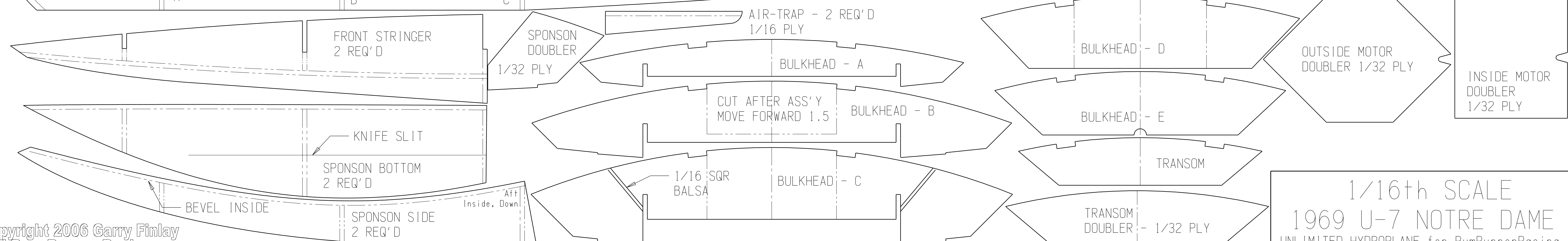
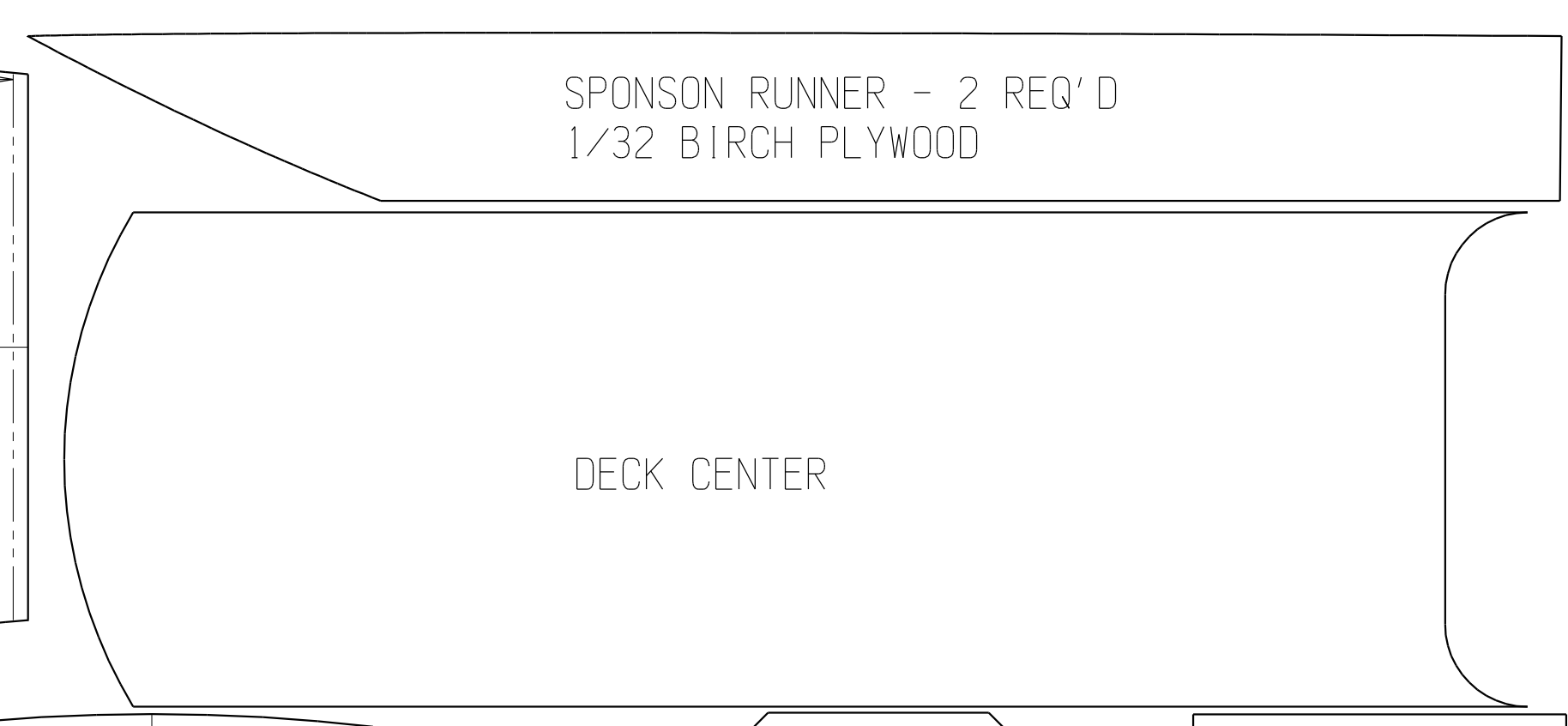
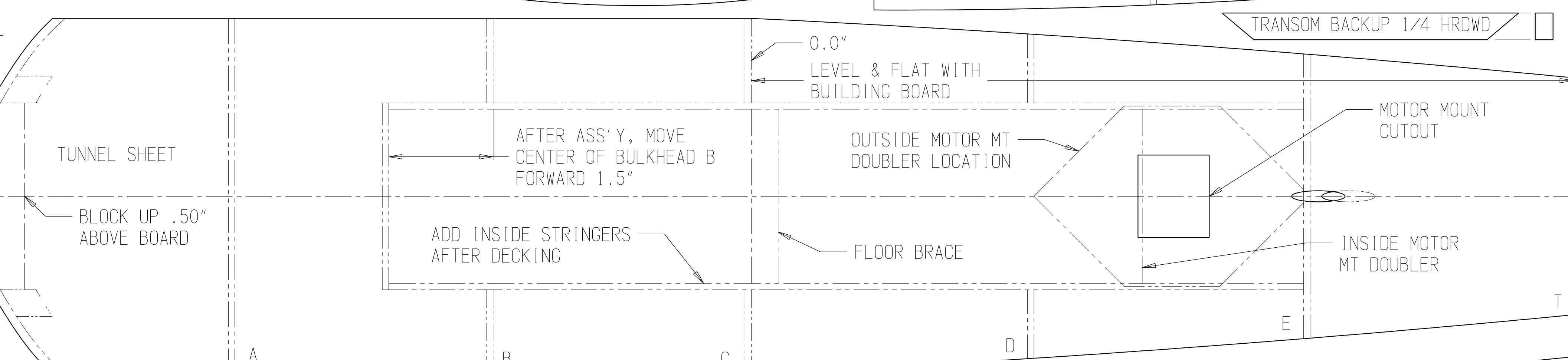
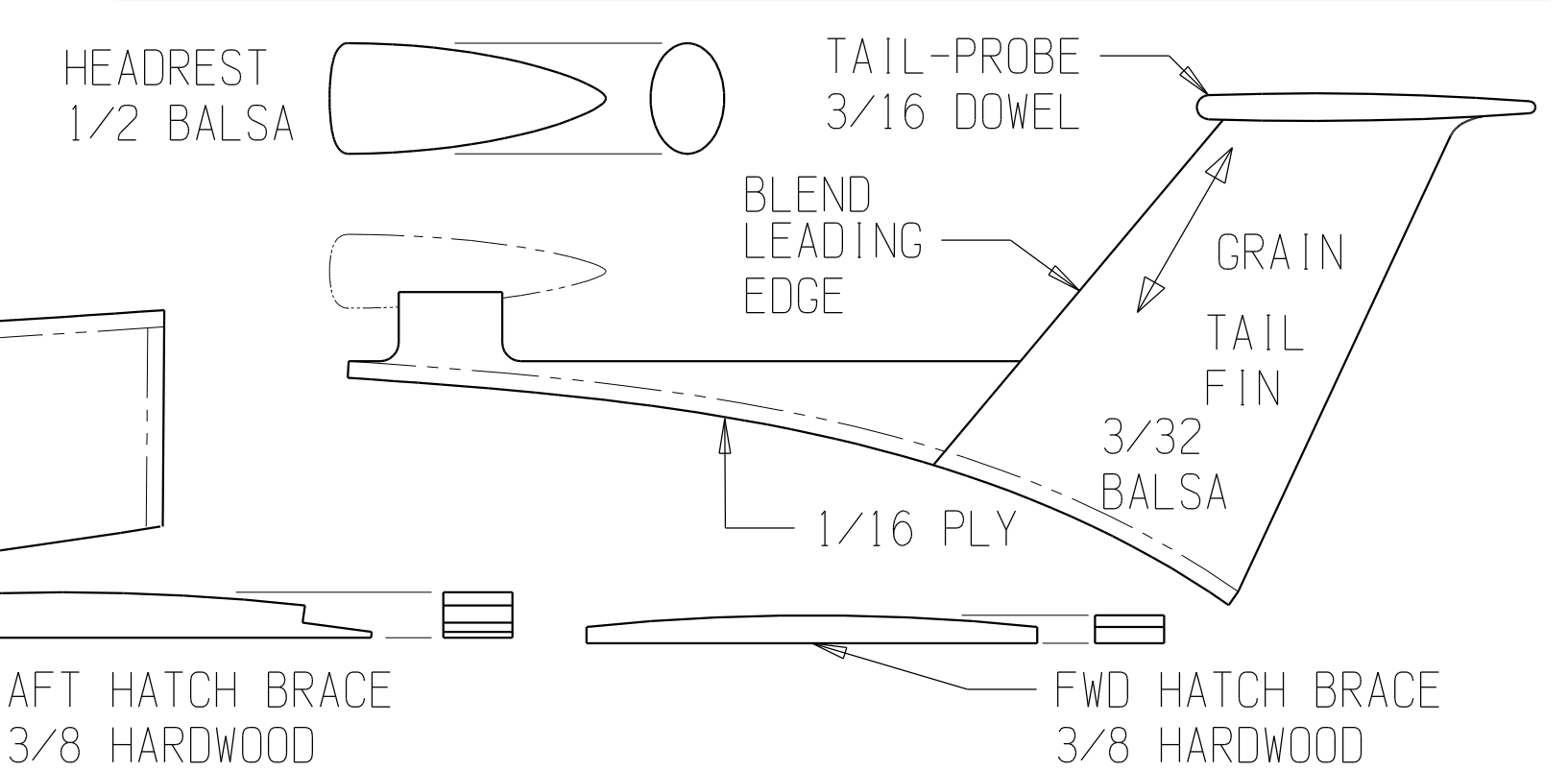
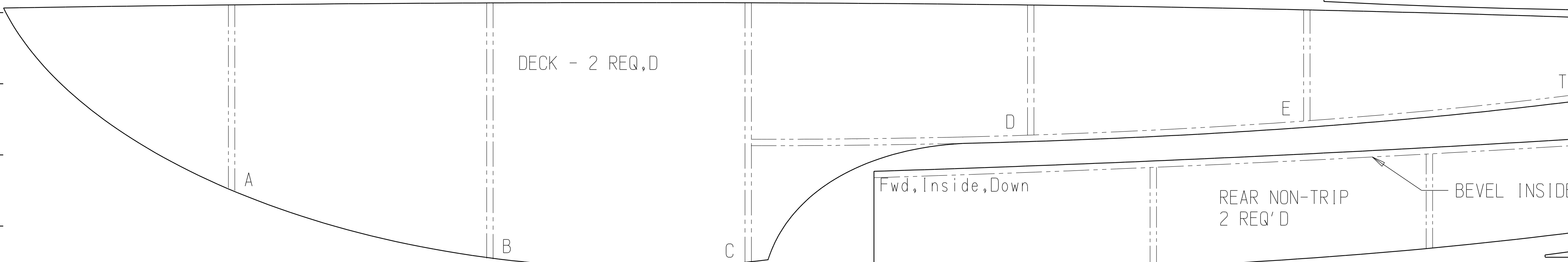
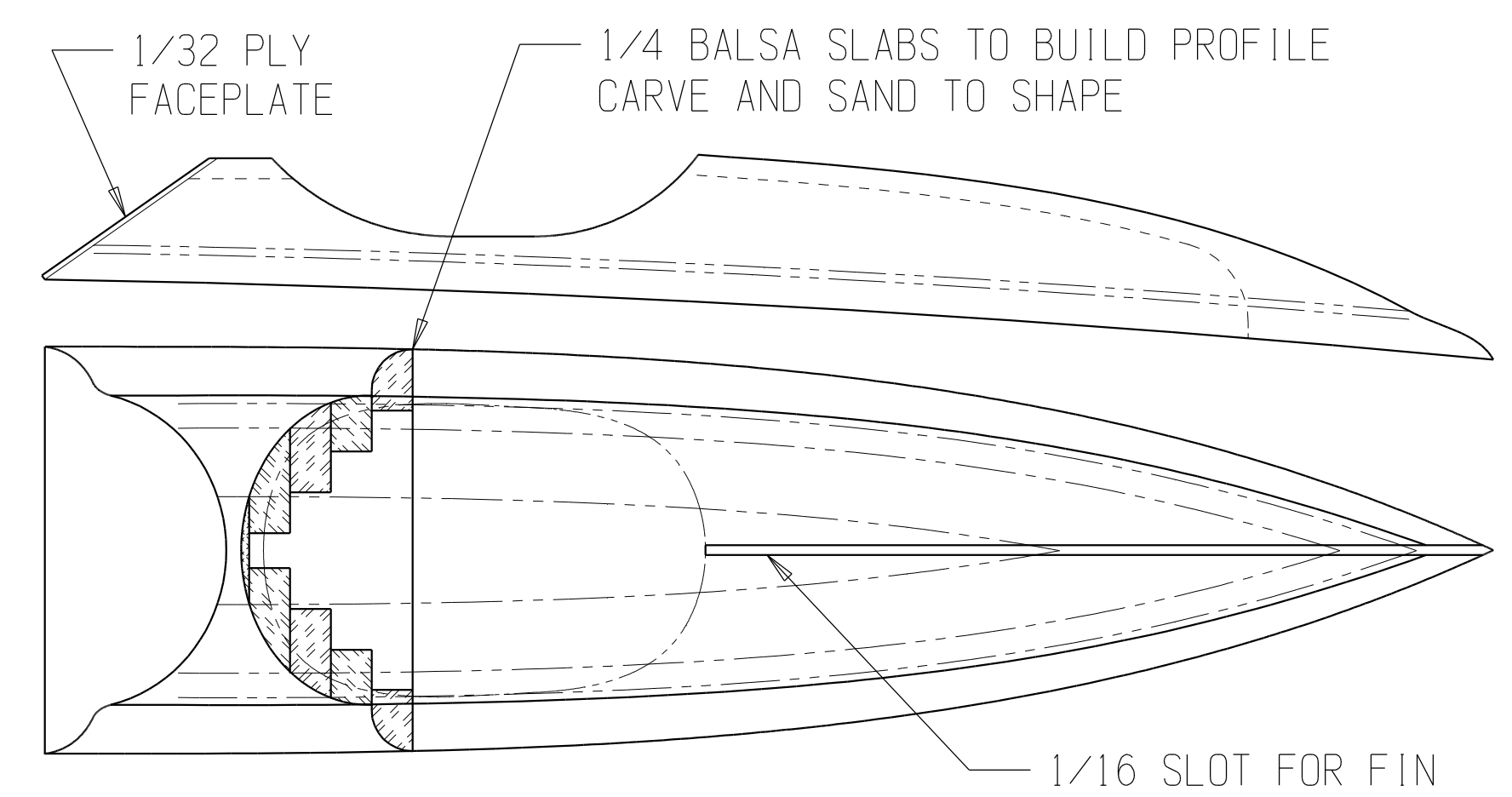
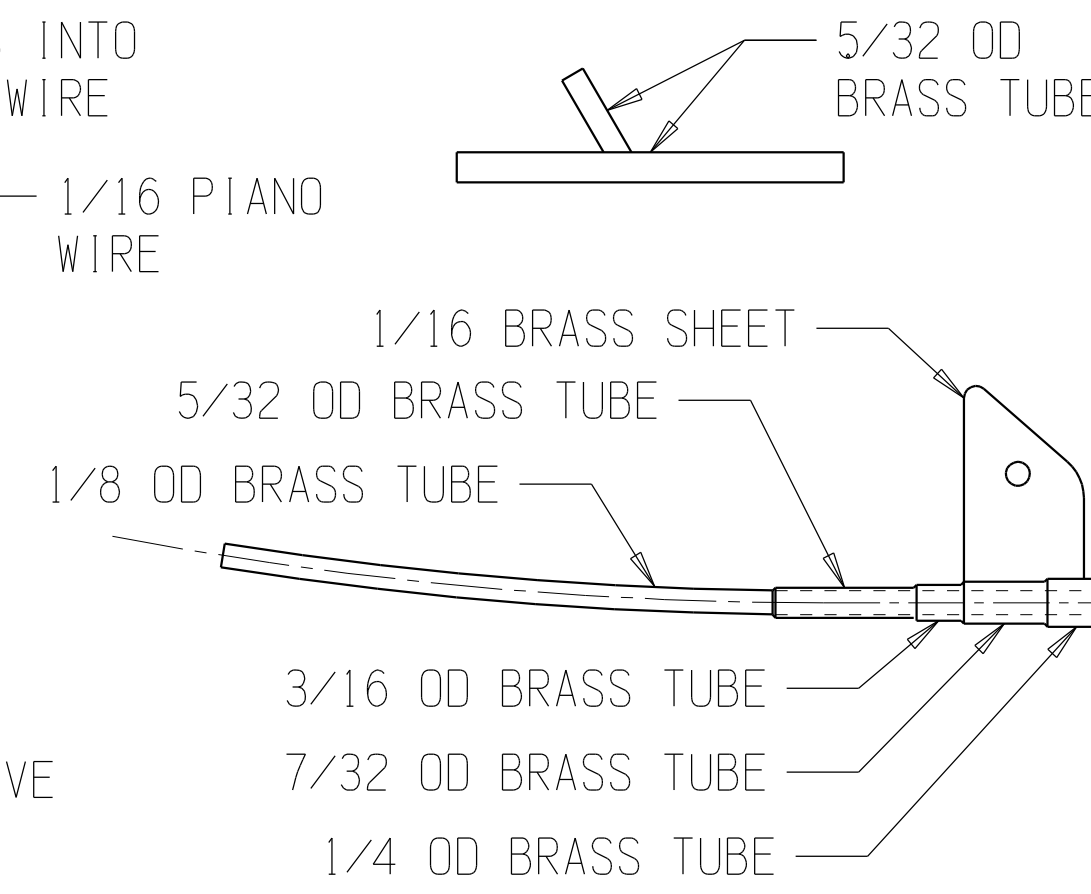
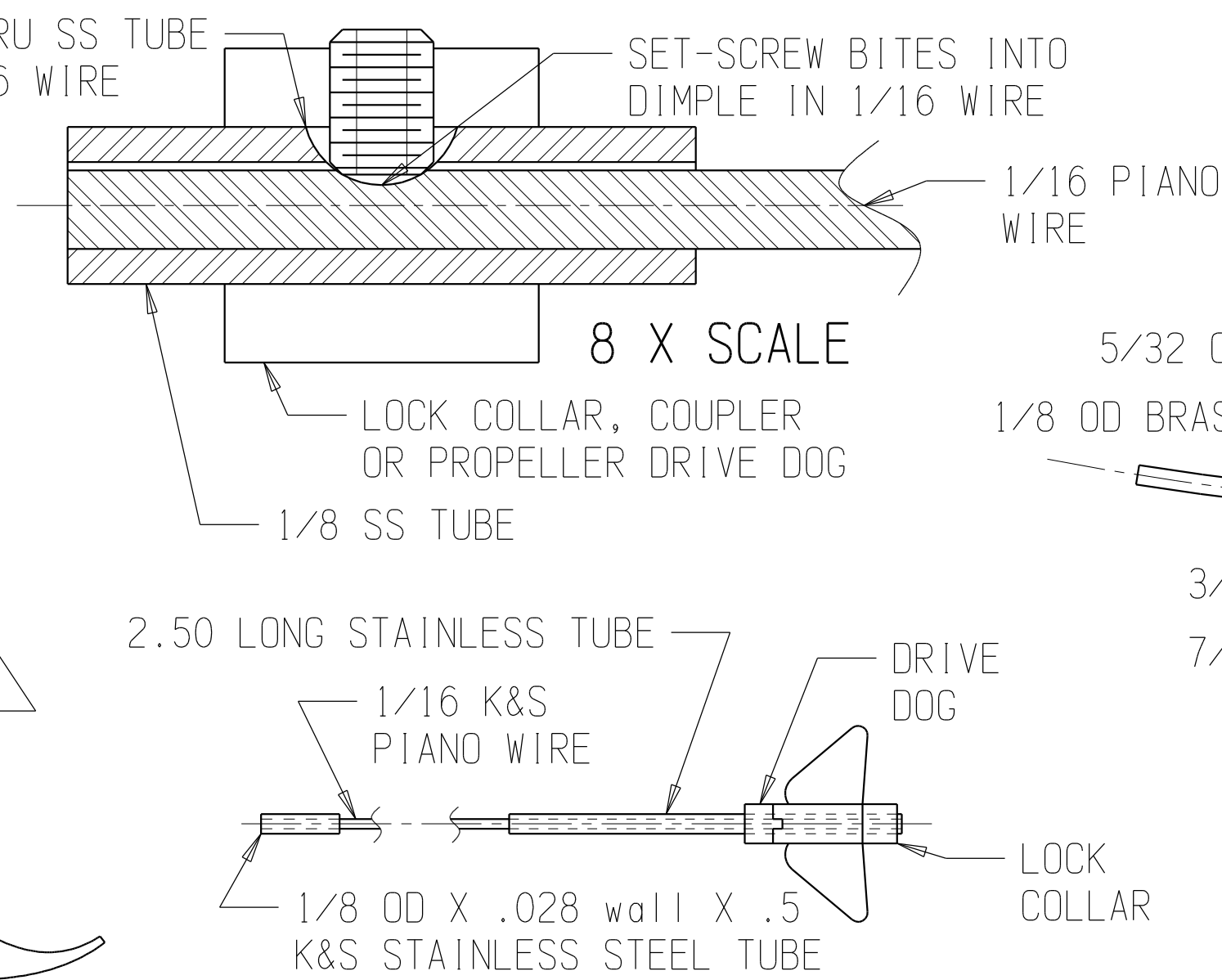
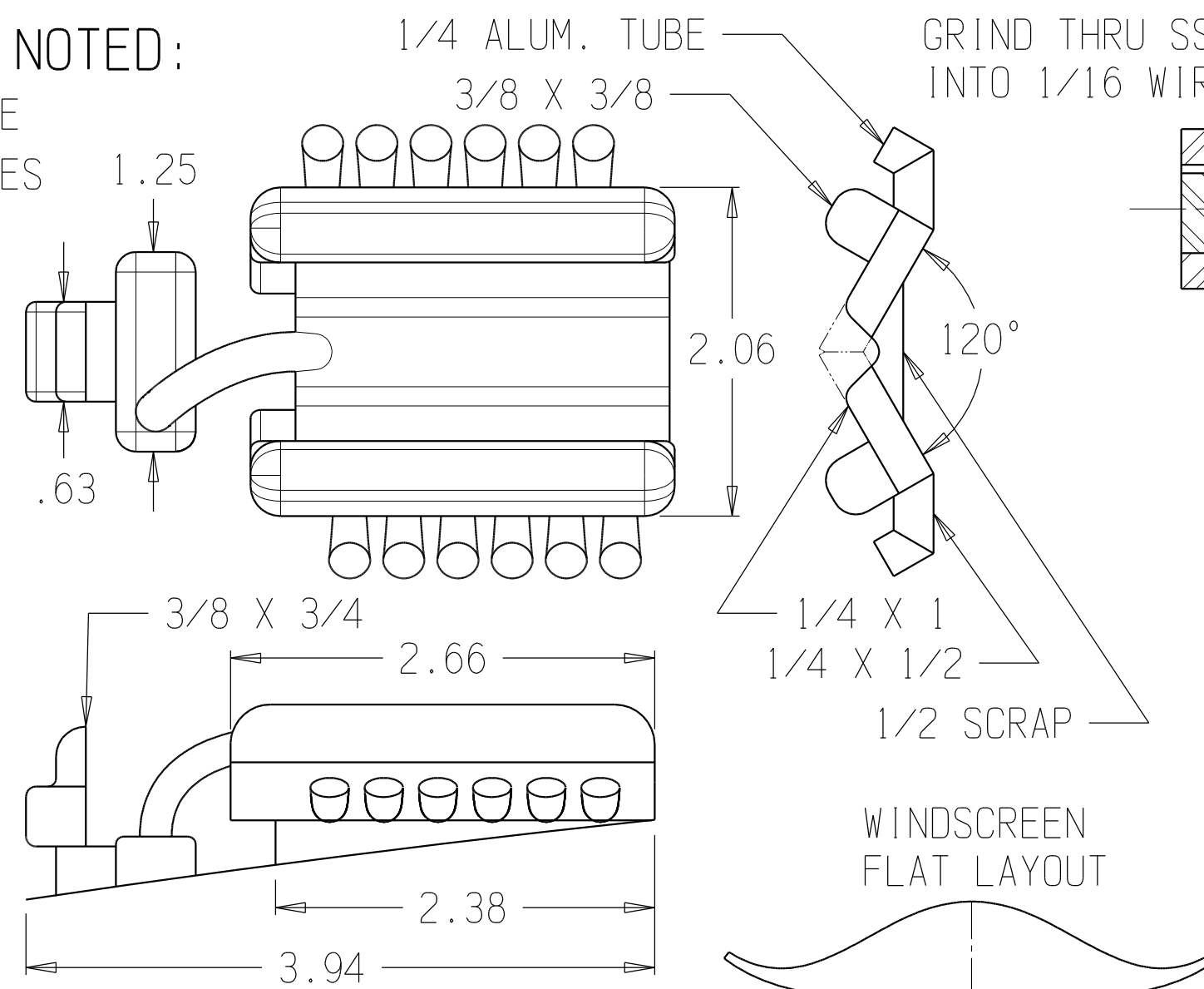


UNLESS OTHERWISE NOTED:
ALL DRAWINGS FULL SCALE
DIMENSIONS ARE IN INCHES

ALL SHEETS:
3/32 FIRM BALSA
GRAIN DIRECTION
←→

ROLLS MERLIN
V-12 DETAILS



1/16th SCALE
1969 U-7 NOTRE DAME
UNLIMITED HYDROPLANE for RumRunnerRacing
01/13/06 by: G.Finlay SHEET 2 of 2